

# Combination Soft Starter

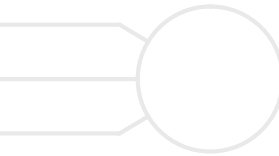
## SSW07 - GPH

5 - 500 HP

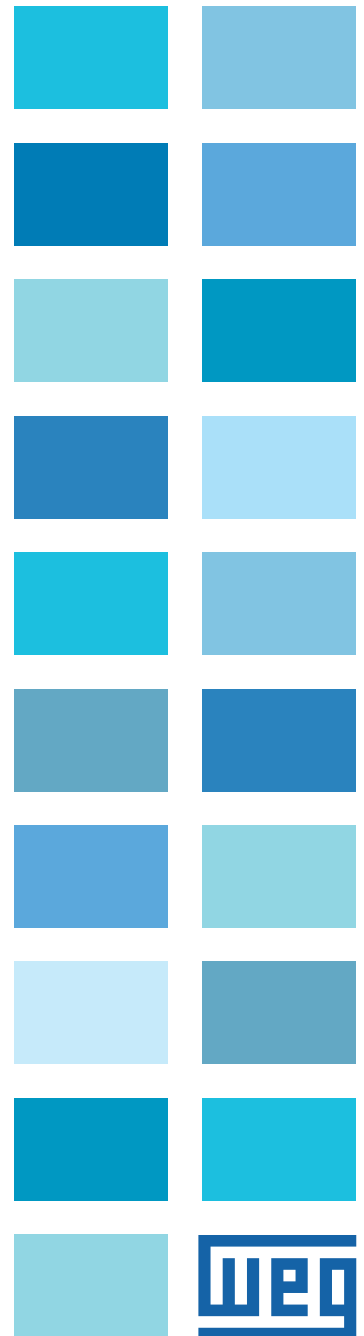
IR  
IS  
IT



Motor



Door Mounted Keypad



IA1

DI1

DI2

DI3

**PAMENSKY**





## GPH - Combination Soft Starter

The GPH Series of WEG Combination Soft Starters is an industrial general purpose AC motor Soft Starter package designed for simple and quick installation and start-up, requiring only input power and output motor connections. The NEMA 4/12 enclosure is ideal for dusty or wet environments. The GPH starters are built to complement the ruggedness and reliability of WEG motors, providing a complete and cost effective AC motor starting and protection solution.

### Standard Features

- Rated 500%
- 5 - 250HP at 230V, 10 -500HP at 460V and 15 - 500HP at 575V
- NEMA 4/12 wall mount enclosure suitable for dusty, wet, or outdoor applications
- Circuit breaker with door mounted operator provides built-in short circuit protection and input power disconnect
- Automatic run rated bypass contactor
- Fused Control Power Transformer (CPT)
- Start and Stop Pushbuttons and Run and Fault Pilot Lights on the front cover
- Keypad with protective cover mounted on enclosure door, all parameter changes are through the cover-mounted keypad. Dust and water stay out of the enclosure.
- Monitoring of current, voltage, kVA and kW can be done from the outside

### Standard Panel Includes

- Soft Starter SSW 07
- Through Door Disconnect
- Control Power Transformer
- NEMA 4/12 Enclosure

### Applications

- Pumps
- Fans
- Blowers
- Compressors
- Conveyors
- Mixers
- Saws





# GPH Table of Products

230V				
HP	Current (A)	Part Number	List Price	Dimensions
5	17	GPH070017230	\$5,084	24x24x12
7.5	24	GPH070024230	\$5,445	24x24x12
10	30	GPH070030230	\$5,478	24x24x12
15	45	GPH070045230	\$5,733	24x24x12
20	61	GPH070061230	\$6,897	24x24x12
30	85	GPH070085230	\$7,182	24x24x12
50	130	GPH070130230	\$9,584	42x30x12
60	171	GPH070171230	\$11,511	42x30x12
75	200	GPH070200230	\$11,997	42x30x12
100	255	GPH070255230	\$13,356	60x36x16
125	312	GPH070312230	\$13,680	60x36x16
150	365	GPH070365230	\$13,922	60x36x16
150	412	GPH070412230	\$17,210	60x36x16

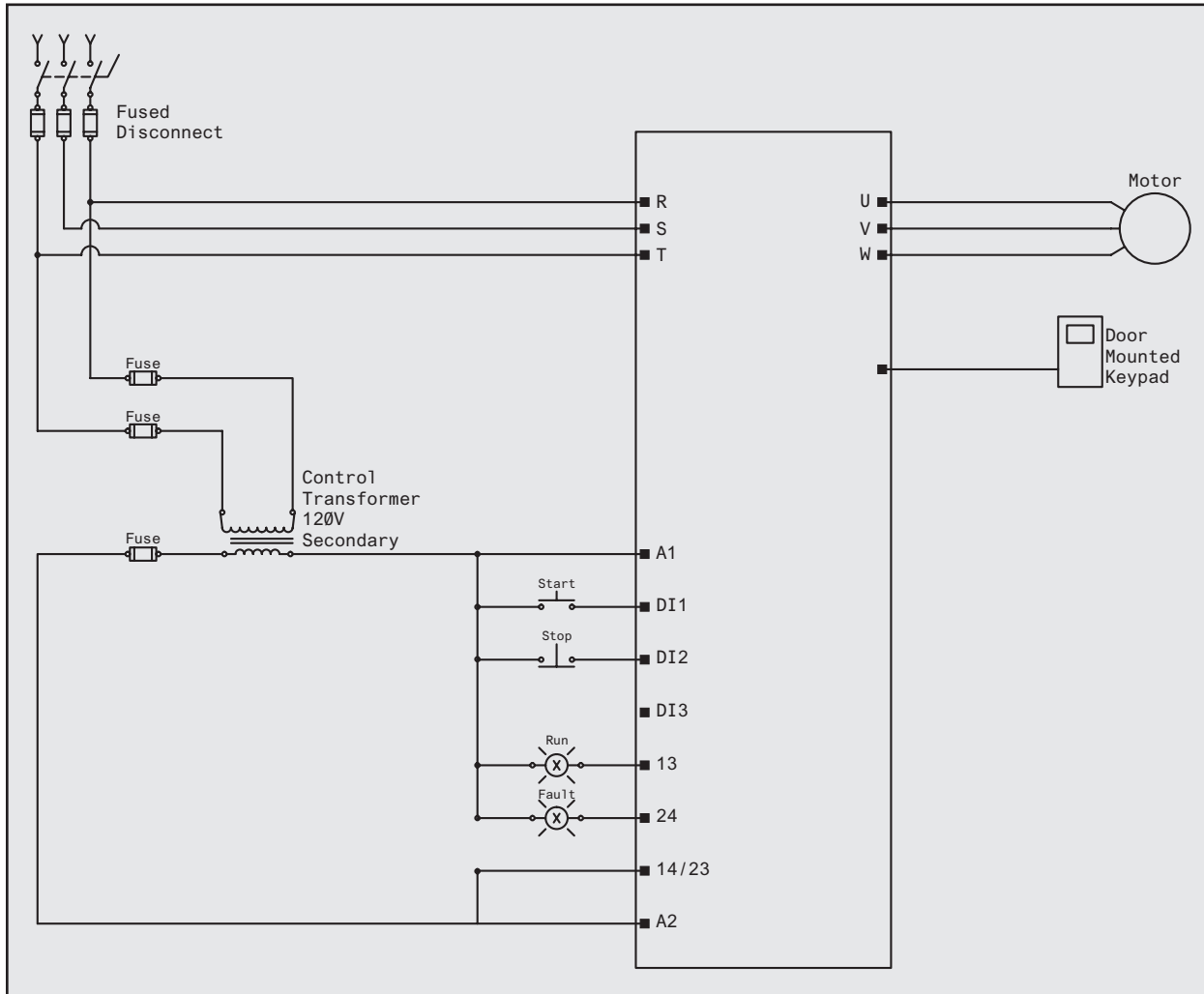
460V				
HP	Current (A)	Part Number	List Price	Dimensions
10	17	GPH070017460	\$5,084	24x24x12
15	24	GPH070024460	\$5,445	24x24x12
20	30	GPH070030460	\$5,478	24x24x12
30	45	GPH070045460	\$5,733	24x24x12
40	61	GPH070061460	\$6,897	24x24x12
60	85	GPH070085460	\$7,182	24x24x12
100	130	GPH070130460	\$9,584	42x30x12
125	171	GPH070171460	\$11,511	42x30x12
150	200	GPH070200460	\$11,997	42x30x12
200	255	GPH070255460	\$13,356	60x36x16
250	312	GPH070312460	\$13,680	60x36x16
300	365	GPH070365460	\$13,922	60x36x16
350	412	GPH070412460	\$17,210	60x36x16

575V				
HP	Current (A)	Part Number	List Price	Dimensions
15	17	GPH070017575	\$5,084	24x24x12
20	24	GPH070024575	\$5,445	24x24x12
25	30	GPH070030575	\$5,478	24x24x12
40	45	GPH070045575	\$5,733	24x24x12
50	61	GPH070061575	\$6,897	24x24x12
75	85	GPH070085575	\$7,182	24x24x12
125	130	GPH070130575	\$9,584	42x30x12
150	171	GPH070171575	\$11,511	42x30x12
200	200	GPH070200575	\$11,997	42x30x12
250	255	GPH070255575	\$13,356	60x36x16
300	312	GPH070312575	\$13,680	60x36x16
350	365	GPH070365575	\$13,922	60x36x16
400	412	GPH070412575	\$17,210	60x36x16

\* Please note that HP reference is for 4 pole motors (1800 RPM). To size the soft starter correctly please confirm the Current (A). Sizing table is used for approximation only, final sizing subject to review of application/load details.

Standard Panel includes soft starter, fused disconnect, control transformer and door mounted keypad mounted in a NEMA 4/12 enclosure.

# Sample Wiring Diagram



This wiring diagram is reprinted for illustrative purposes only and may be subject to change.

## PAMENSKY

1 800 ASK 4 WEG (275-4934) Head Office  
1 877 PAMENSKY (726-3675) Provincial Office

[www.pamensky.com](http://www.pamensky.com)

### V.J. Pamensky Canada Inc.

Toronto  
64 Samor Road  
Toronto, Ontario  
M6A 1J7

Montreal  
9428 boul du Golf  
Anjou, Quebec  
H1J 3A1

Winnipeg  
10 Hutchings Street  
Winnipeg, Manitoba  
R2X 2X1

Calgary  
Bay #80  
5100 - 64 Ave. S.E.  
Calgary, Alberta  
T2C 4V3

Edmonton  
4819 - 90A Ave.  
Edmonton, Alberta  
T5X 5Y7

Vancouver  
3226 - 138A Street  
Surrey, British Columbia  
V4P 2B4

TEL: 416 781-4617  
FAX: 416 781-4352

TEL: 514 341-5950  
FAX: 514 341-2945

TEL: 204 633-1438  
FAX: 204 633-8720

TEL: 403 240-0629  
FAX: 403 240-0959

TEL: 780 444-4465  
FAX: 780 449-2543

TEL: 604 531-4004  
FAX: 604 531-7009