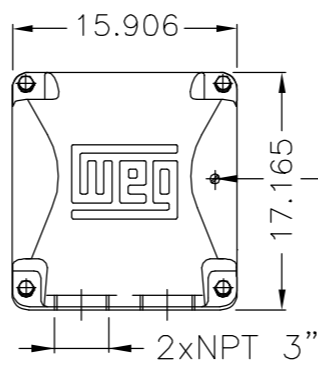


EIXO/SHAFT	
PADRÃO/STANDARD	X
OPCIONAL/OPTIONAL	
ESPECIAL/SPECIAL	

Dimensões em polegada
Dimensions in inches

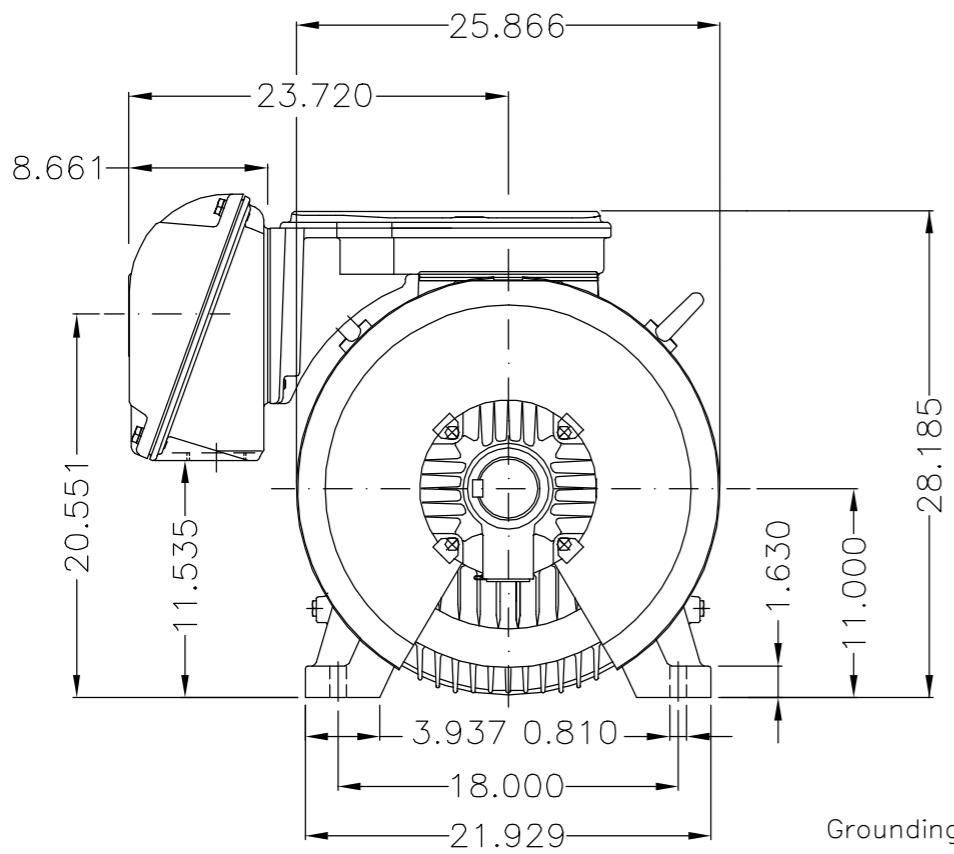
CERTIFIED WEG MOTORES
Certified document.
Not subject to changes.

THIS IS AN UPDATED REVISION, THE PREVIOUS ONE MUST BE DISREGARDED.

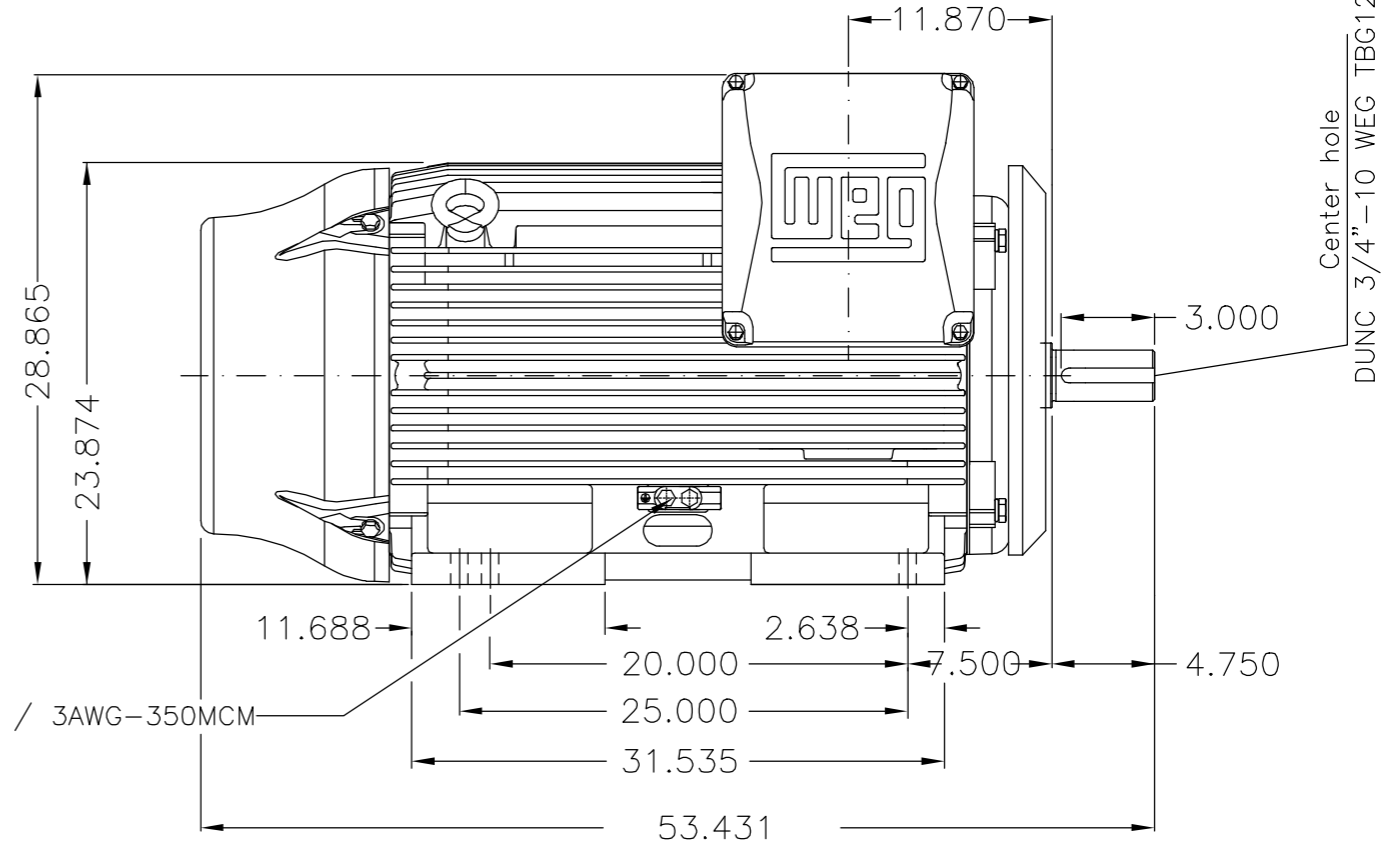


Grounding for leads 35-70 mm² / 1-2/0 AWG

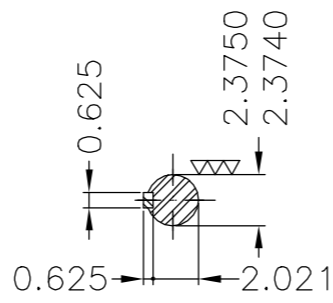
Main terminal box



Grounding for leads 25-185 mm² / 3AWG-350MCM



Center hole
DUNC 3/4"-10 WEG TBG12



DE Shaft End

Tampa traseira com mancal eletricamente isolado / NDE endshield with electrically insulated bearing hub						
Defletor de ar dianteiro / Drive-End Air Deflector						
Cor RAL 5009 / Color RAL 5009						
Plano de pintura 203A / Painting plan 203A						
Forma construtiva NEMA F-1 / Mounting NEMA F-1						
Forma construtiva B3D / Mounting B3R(D)						
V.J. PAMENSKY CANADA INC.						

500001477671		DOCUMENTO NOVO	DANIELAW	CLEITONGS	CLEITONGS	20.07.2018	00
ECM	LOC	SUMMARY OF MODIFICATIONS	EXECUTED	CHECKED	RELEASED	DATE	VER
EXECUTED	DANIELAW	THREE PHASE W22 MOTOR - NEMA PREMIUM EFF FRAME L447/9TS IP55 TEFC	10005922383				
CHECKED	CLEITONGS		000	00			
RELEASED	CLEITONGS						
REL DT	20.07.2018	WMO	Jaragua do Sul	Product Engineering	SHEET	01 / 01	

400 HP 02 Poles 60Hz 415133548/0

A



UNCONTROLLED COPY

RELEASED

ZME A3