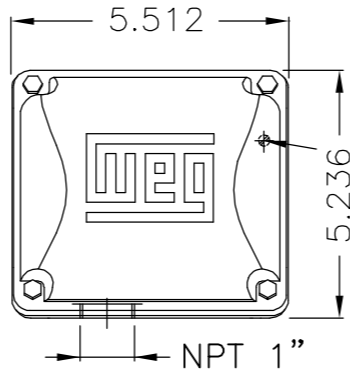


| | |
|-------------------|---|
| EIXO/SHAFT | |
| PADRÃO/STANDARD | |
| OPCIONAL/OPTIONAL | |
| ESPECIAL/SPECIAL | X |

Dimensões em polegada
Dimensions in inches

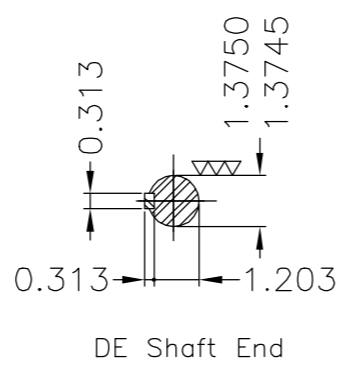
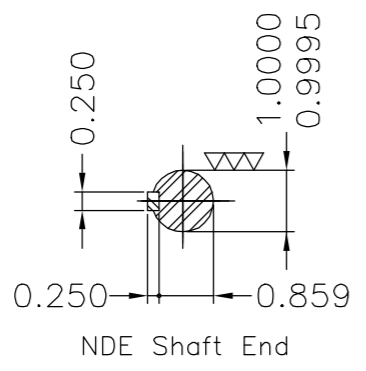
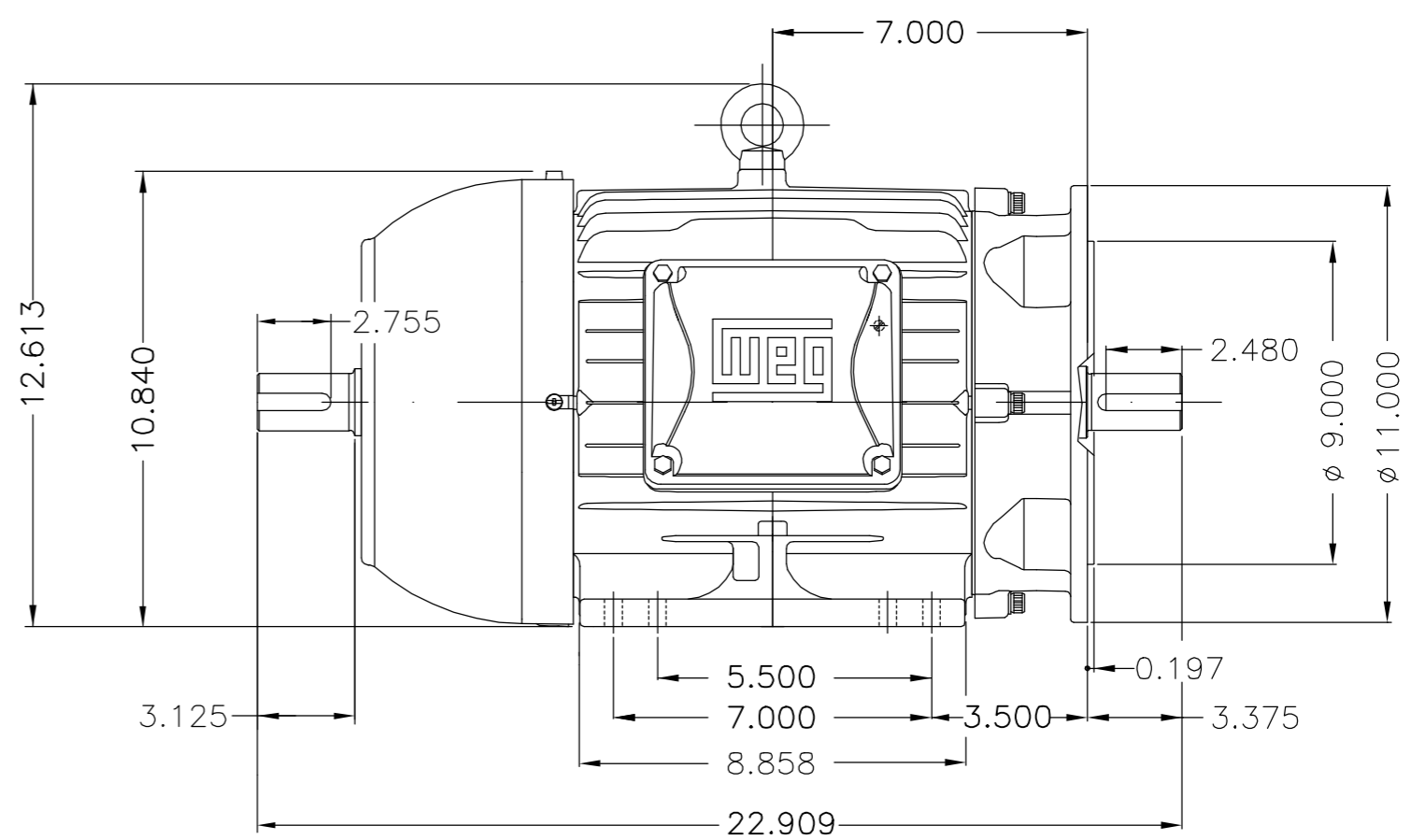
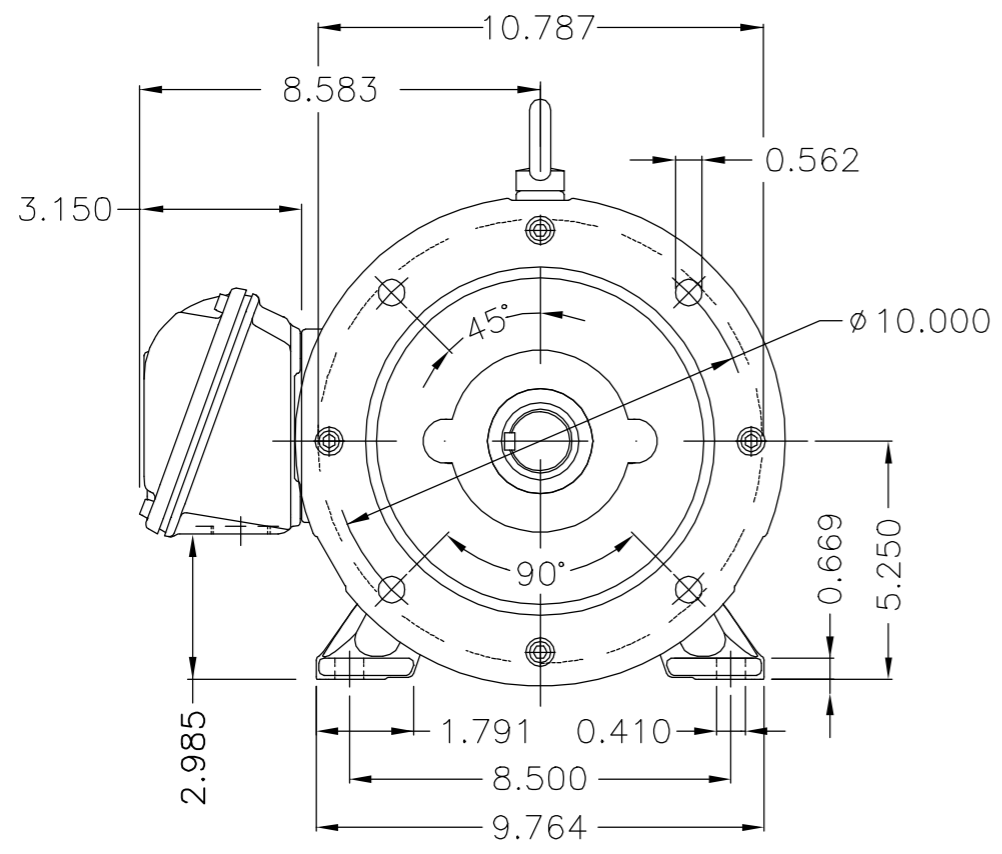
CERTIFIED WEG MOTORES
Certified document.
Not subject to changes.

THIS IS AN UPDATED REVISION, THE PREVIOUS ONE MUST BE DISREGARDED.



Grounding for leads 2-10 mm² / 14-7 AWG

Main terminal box



Cor RAL 5009 / Color RAL 5009
Plano de pintura 207A / Painting plan 207A
Forma construtiva NEMA F-1 / Mounting NEMA F-1
Forma construtiva B35D / Mounting B35R(D)
V.J. PAMENSKY CANADA INC.

| | | | | | | | |
|------------------|----------------|--|-----------------------|-----------------------|----------------------|--------------|------------|
| 500001282653 | DOCUMENTO NOVO | JOAOVICTOR | NSCHMIDT | 06.03.2017 | 00 | | |
| ECM ECM | LOC LOC | RESUMO MODIFICAÇÃO SUMMARY OF MODIFICATIONS | EXECUTADO EXECUTED | VERIFICADO CHECKED | LIBERADO RELEASED | DATA DATE | VER VER |
| EXEC. /EXECUTED | JOAOVICTOR | THREE PHASE W22 MOTOR - NEMA PREMIUM EFF FRAME 213/5TDZ IP55 TEFC | 10004805756 | | | | |
| VERIF. /CHECKED | | | 000 00 | | | | |
| LIBER. /RELEASED | NSCHMIDT | | | | | | |
| DATA LB /REL DT | 06.03.2017 | WMO | Jaraguá do Sul | Product Engineering | FOLHA/SHEET | 1 / 1 | |

10 HP 04 Poles 60Hz 414590398/0 MEC.

UNCONTROLLED COPY

RELEASED

ZME A3