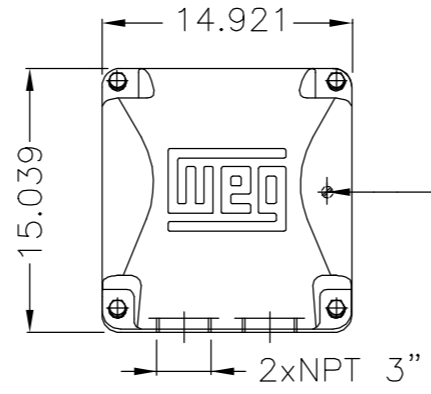
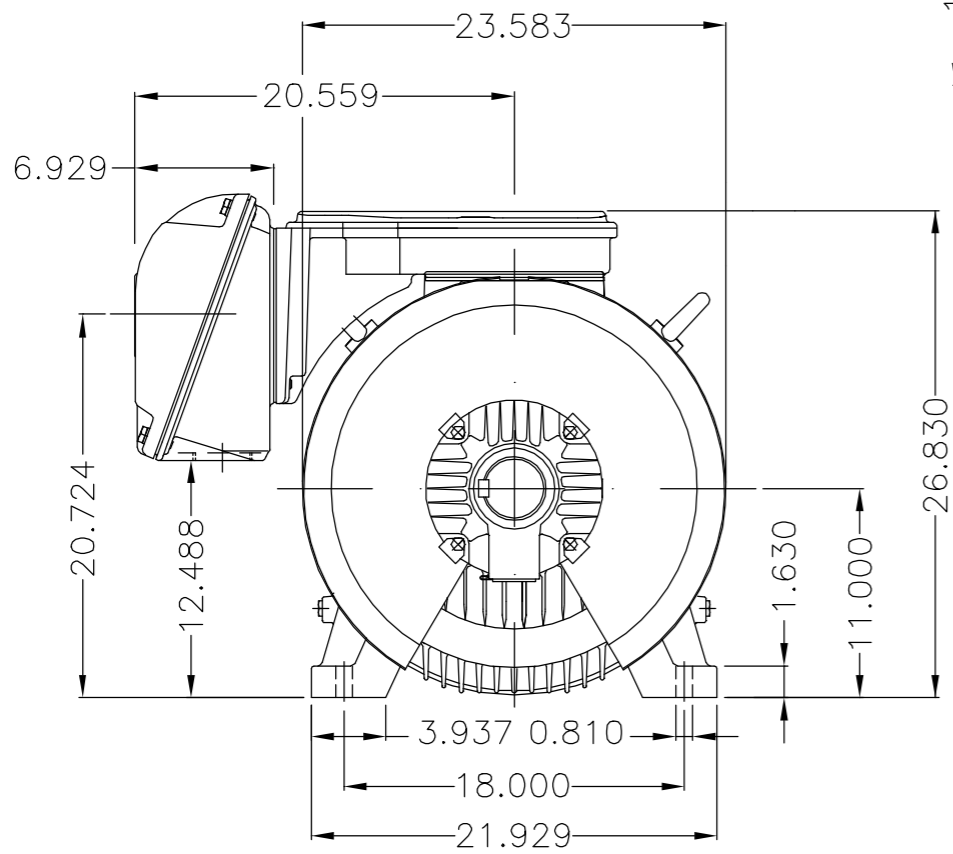


|                   |   |
|-------------------|---|
| EIXO/SHAFT        |   |
| PADRÃO/STANDARD   | X |
| OPCIONAL/OPTIONAL |   |
| ESPECIAL/SPECIAL  |   |

Dimensões em polegada  
Dimensions in inches

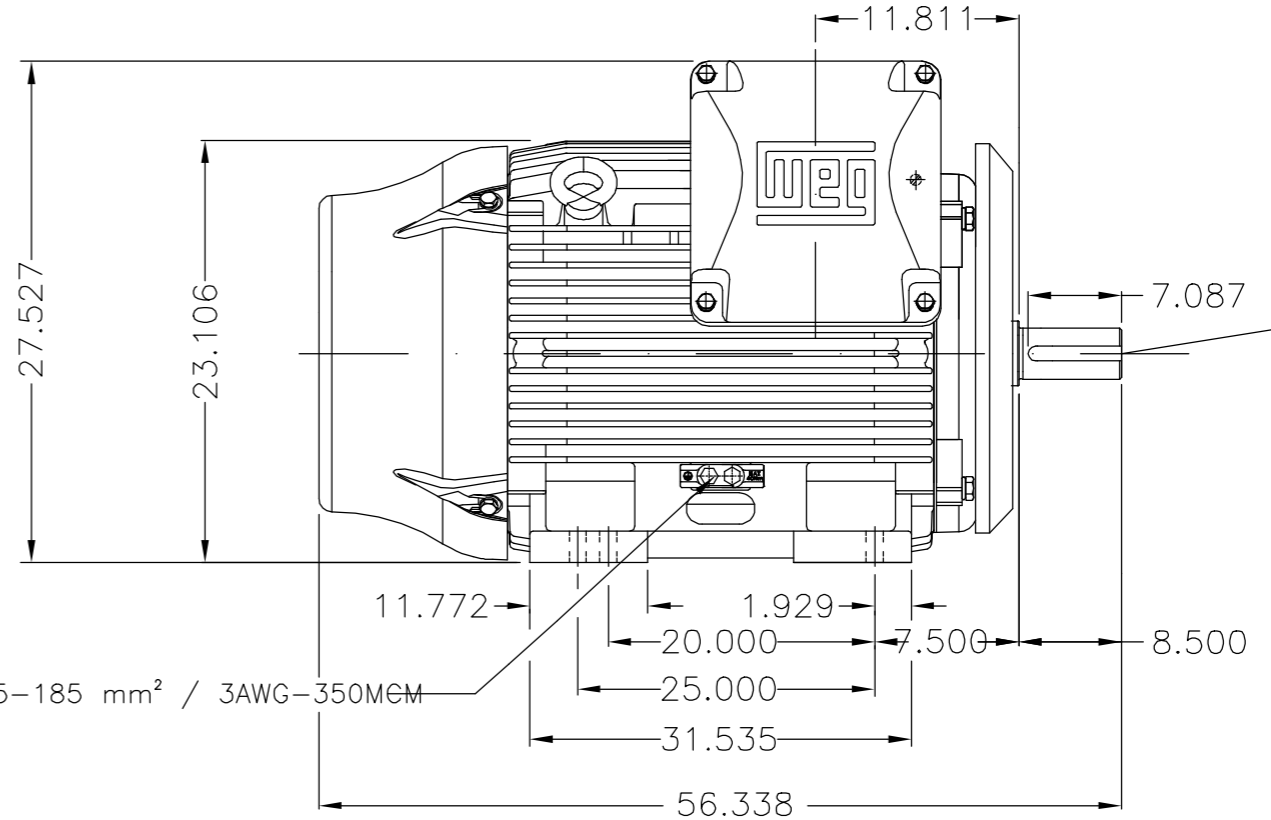
THIS IS AN UPDATED REVISION, THE PREVIOUS ONE MUST BE DISREGARDED.

A  
B  
C  
D  
E



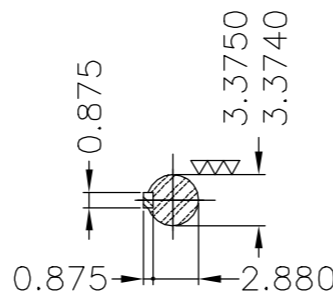
Main terminal box

Grounding for leads 35-70 mm<sup>2</sup> / 1-2/0 AWG



Center hole  
DUNC 3/4"-10 WEG TBG12

Grounding for leads 25-185 mm<sup>2</sup> / 3AWG-350MEM



DE Shaft End

|  |  |
|--|--|
| Cor RAL 5009 / Color RAL 5009                  |  |
| Plano de pintura 203A / Painting plan 203A     |  |
| Forma construtiva NEMA F-1 / Mounting NEMA F-1 |  |
| Forma construtiva B3D / Mounting B3R(D)        |  |
| <b>V.J. PAMENSKY CANADA INC.</b>               |  |

|                  |
|------------------|
| OV: 4853577      |
| 500001471545     |
| ECM              |
| EXEC. /EXECUTED  |
| VERIF. /CHECKED  |
| LIBER. /RELEASED |
| DATA LB /REL DT  |

|  |                       |                       |                      |              |            |
|--|-----------------------|-----------------------|----------------------|--------------|------------|
| DOCUMENTO NOVO   | SAORIN                | ERIC                  | ERIC                 | 23.07.2018   | 00         |
| RESUMO MODIFICAÇÃO<br>SUMMARY OF MODIFICATIONS                     | EXECUTADO<br>EXECUTED | VERIFICADO<br>CHECKED | LIBERADO<br>RELEASED | DATA<br>DATE | VER<br>VER |
| THREE PHASE W22 MOTOR - NEMA PREMIUM EFF<br>FRAME 447/9T IP55 TEFC | 10005867024           |                       | 000                  | 00           |            |
| Jaragua do Sul   | Product Engineering   |                       | FOLHA/SHEET          | 1 / 1        |            |

350 HP 04 Poles 60Hz

UNCONTROLLED COPY RELEASED ZME A3