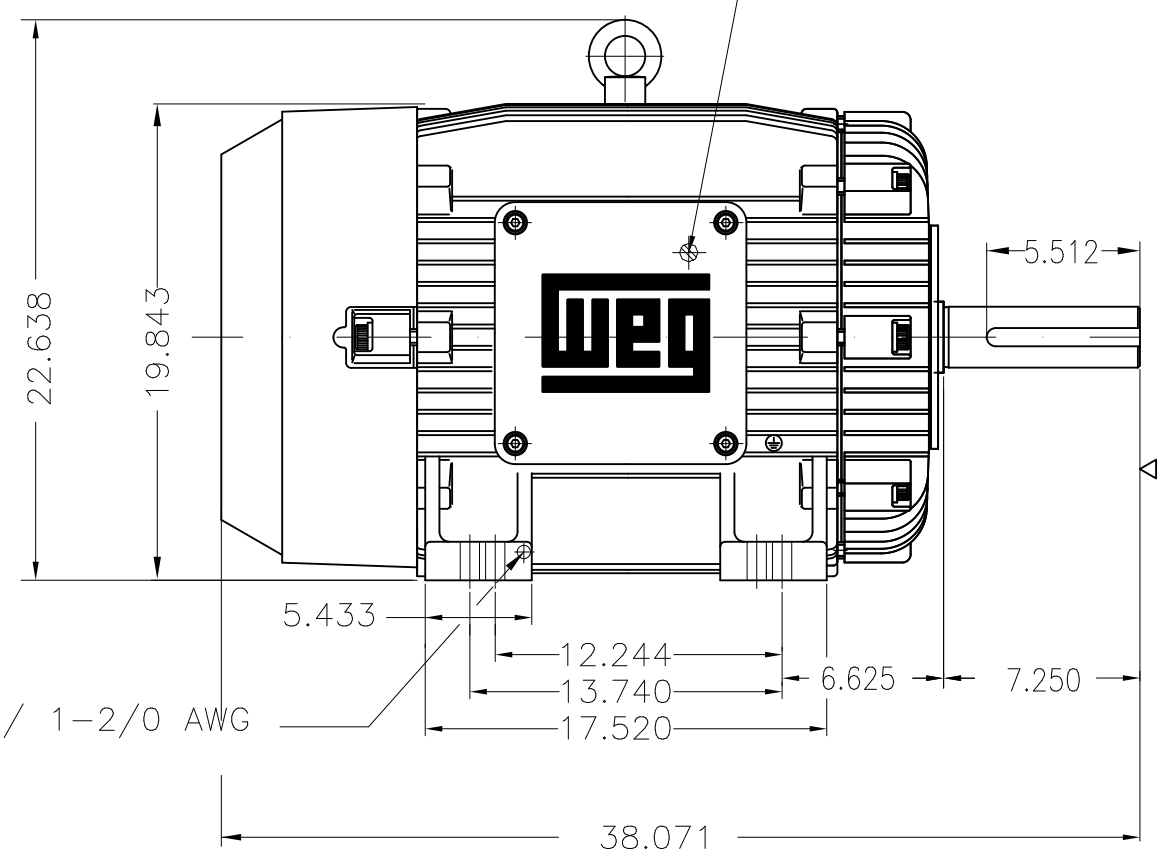


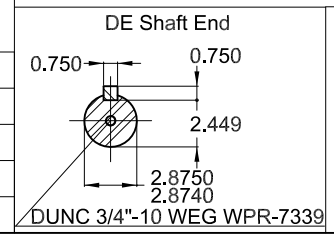
Grounding for leads 25-50 mm² / 3-1 AWG



Grounding for leads 35-70 mm² / 1-2/0 AWG

75 HP 06 Poles 60 Hz

- DE roller bearing
- Shaft locking device
- Color RAL 5009
- Painting plan 222P
- Mounting B3R(D)



ECM		LOC	SUMMARY OF MODIFICATIONS				HYBRISUSER	EXECUTED	CHECKED	RELEASED	DATE	VER			
EXECUTED		HYBRISUSER	THREE PH. MOTOR EXPLOSION PROOF NEMA PREM. EFF. FRAME 404/5T IP55 TEFC		PREVIEW	WDD	00	SHEET	1 / 1	Product Engineering	Jaragua do Sul	WMO	J	A	00
CHECKED															
RELEASED															
REL. DATE															

Dimensions in inches