

No reproduction of this drawing is allowed without written permission of WEG Motores

EIXO		Dimensões em polegadas
PADRÃO	X	
OPCIONAL		
ESPECIAL		
		Dimensions in inches

THIS IS AN UPDATED REVISION, THE PREVIOUS ONE MUST BE DISREGARDED.

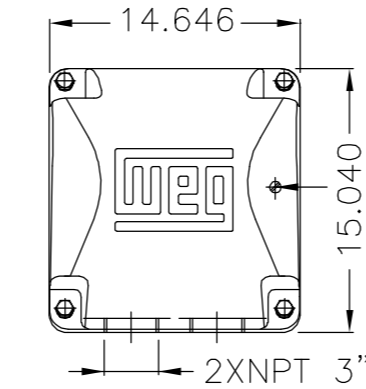
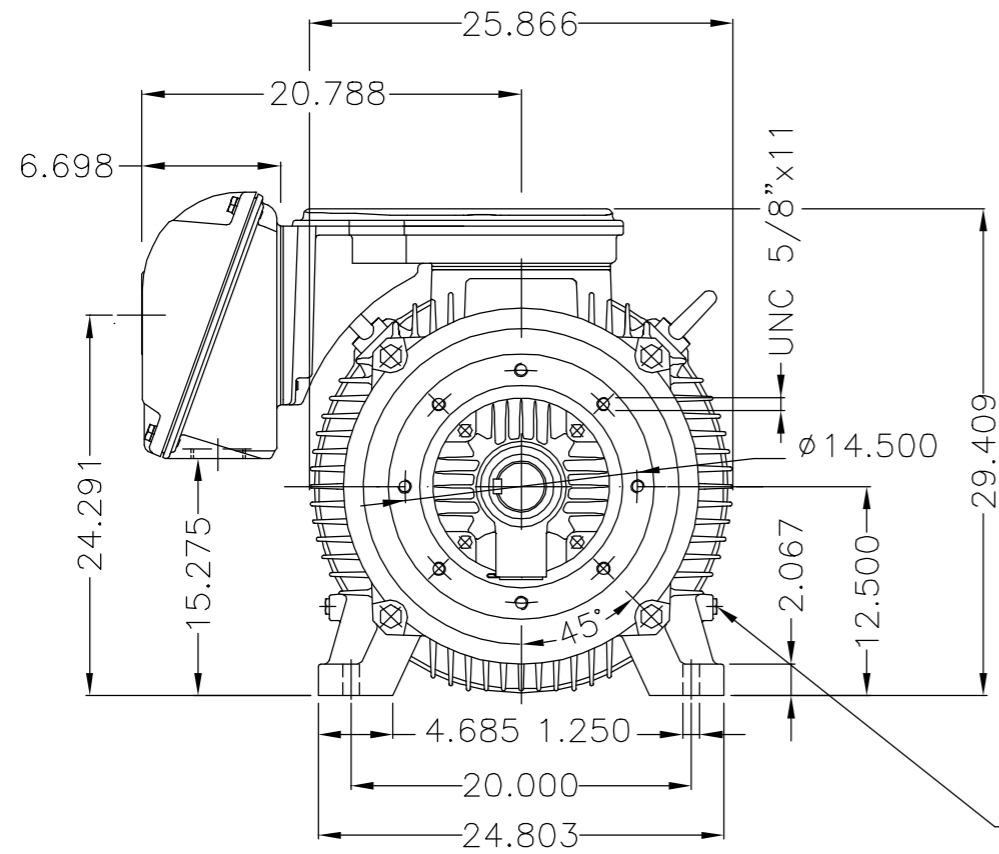
A

B

C

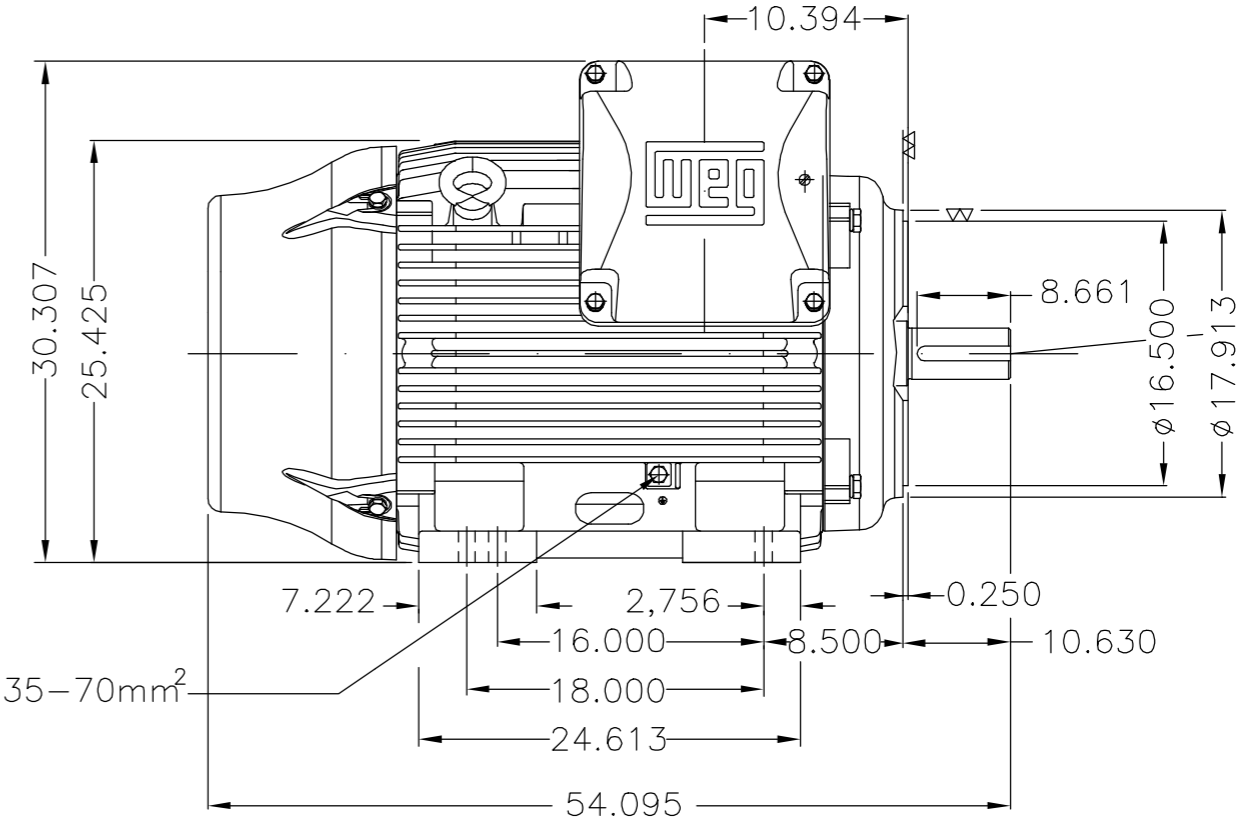
D

E



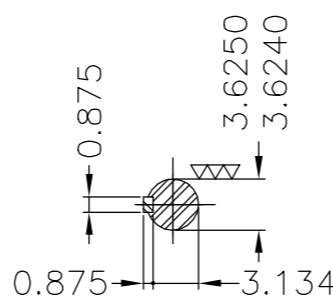
Main terminal box

Grounding for leads 35-70mm<sup>2</sup>



Center Hole  
DUNC 3/4"-10 WEG TBG12  
(DIN 332)

Grounding for leads 35-70mm<sup>2</sup>



DE Shaft End

Tampa flangeada especial / Special flange						
Rolamento dianteiro de rolos NU-319 / NU-319 DE roller bearing						
Vedação - retentor de Viton / Sealing - Viton lip seal ring						
Dispositivo de travamento de eixo / Shaft locking device						
Plano de pintura 203A / Painting plan 203A						
Forma construtiva B34D / Mounting B34R(D)						
<b>V.J. PAMENSKY CANADA INC.</b>						

500002039882		ALTERADO CFME. CLAIM 418397066	EDUARDAG	RICLAV	RICLAV	02.05.2023	02
500000405018		ALT. CONF. CLAIM 408939944	SCARMAGNANI	ALCIDESZ	ALCIDESZ	21.01.2011	01
ECM	LOC	SUMMARY OF MODIFICATIONS	EXECUTED	CHECKED	RELEASED	DATE	VER
EXECUTED	SCARMAGNANI	THREE PHASE W22 MOTOR - NEMA PREMIUM EFF FRAME 504/5TC IP55	10001063645				
CHECKED	ALCIDESZ		000   02				
RELEASED	ALCIDESZ		SHEET 1 / 1				
REL DT	07.12.2010	WMO	JARAGUÁ DO SUL	ENG. DE PRODUTO			

LOTE ÚNICO / SINGLE BATCH ME  
200 HP 04 Poles 60Hz 407587380/0 MEC

UNCONTROLLED COPY

RELEASED

ZME A3