

EIXO/SHAFT	
PADRÃO/STANDARD	X
OPCIONAL/OPTIONAL	
ESPECIAL/SPECIAL	

Dimensões em polegada
Dimensions in inches

THIS IS AN UPDATED REVISION, THE PREVIOUS ONE MUST BE DISREGARDED.

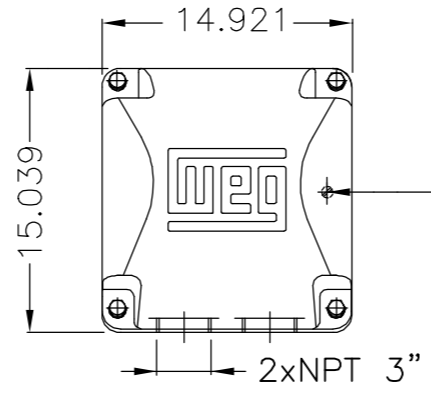
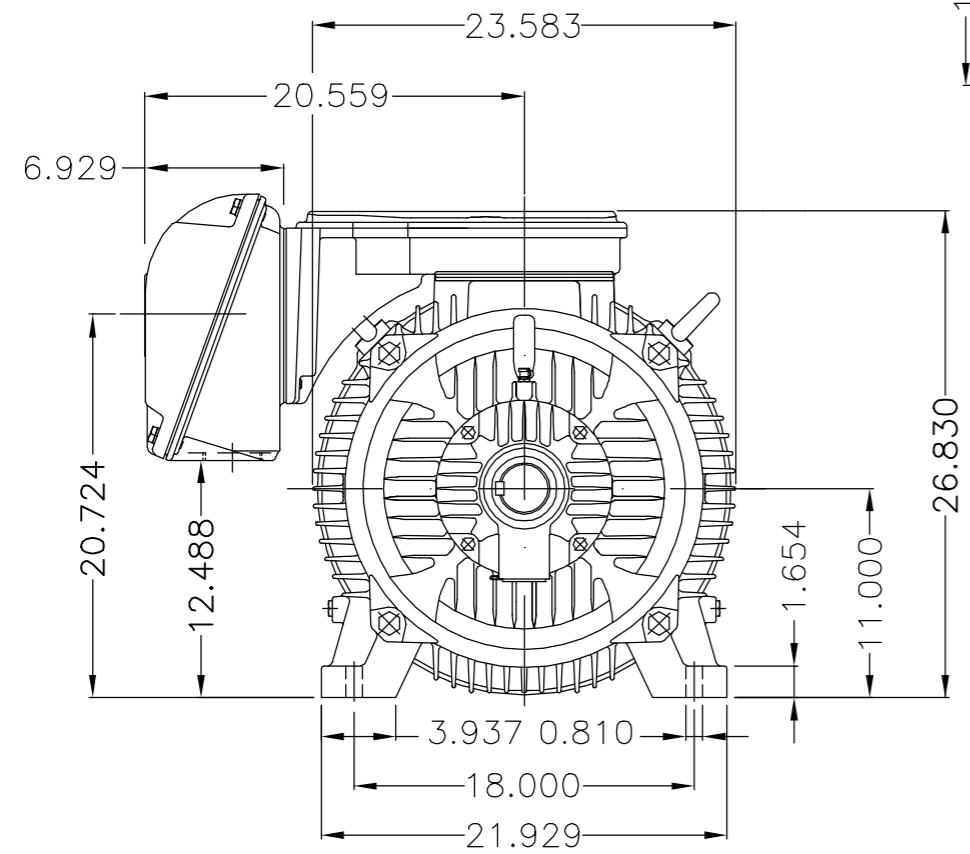
A

B

C

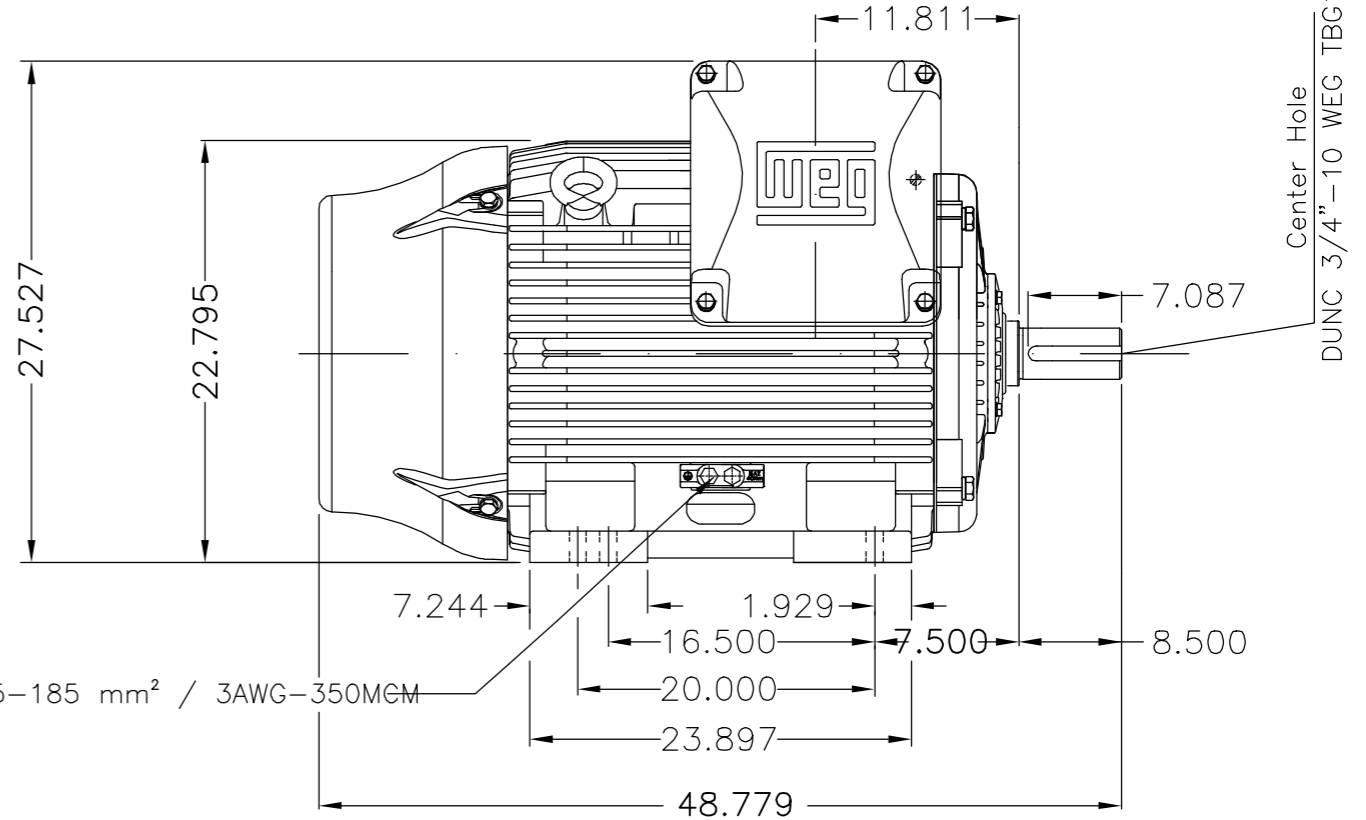
D

E



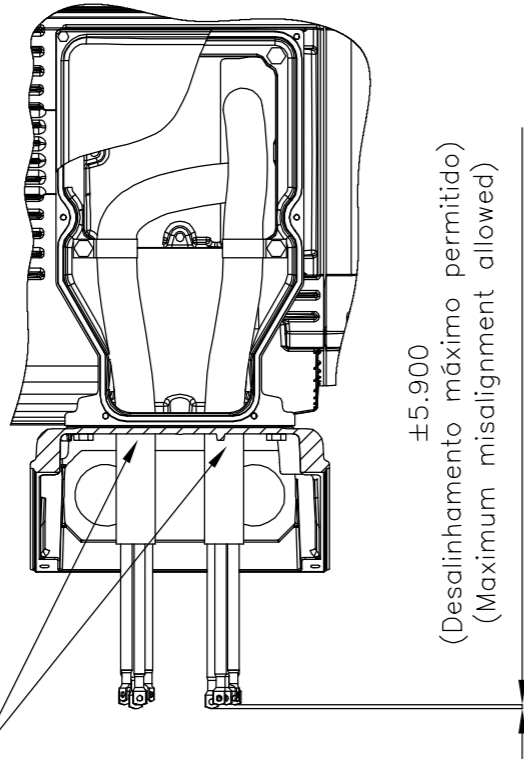
Main terminal box

Grounding for leads 35-70 mm² / 1-2/0 AWG

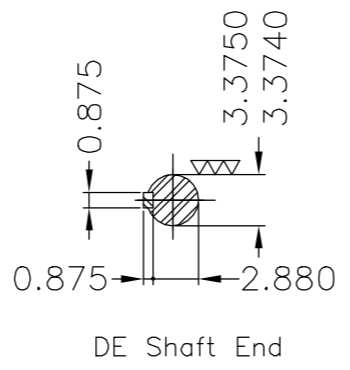


Grounding for leads 25-185 mm² / 3AWG-350MCM

Fixar o conduto no suporte com abraçadeiras.
Fasten the conduit on support with cables ties.



(Desalinhamento máximo permitido)
(Maximum misalignment allowed)



DE Shaft End

Linha do motor: Crusher Duty / Motor purpose: Crusher Duty						
Rolamento dianteiro de rolos / DE roller bearing						
Conduite para cabos no interior do suporte da caixa de ligação						
Cables conduit inside terminal box support						
Dispositivo de travamento de eixo / Shaft locking device						
Cor RAL 5009 / Color RAL 5009						
Plano de pintura 203A / Painting plan 203A						
Forma construtiva B3D / Mounting B3R(D)						
WEG EQUIPAMENTOS ELETRICOS S/A						

500001331189	ADIC.NOTA CONDUITE/ADD NOTE CONDUIT	MENSOR	EANJOS	05.07.2017	03			
500001323616	ALTERADO CONFORME CLAIM 414658625	MENSOR	JMANENTE	20.06.2017	02			
ECM	LOC	SUMMARY OF MODIFICATIONS		EXECUTED	CHECKED	RELEASED	DATE	VER
EXECUTED	GABRIELID	THREE PHASE W22 MOTOR		10004923855				
CHECKED		FRAME 445/7T IP55 TEFC		000 04				
RELEASED	JMANENTE							
REL DT	09.05.2017	WMO	Jaragua do Sul	Product Engineering	SHEET	1 / 1		

200 HP	06 Poles	60Hz	414668751	D
150 HP	06 Poles	60Hz	414668751	C
250 HP	04 Poles	60Hz	414658029	B
200 HP	04 Poles	60Hz	414668751	A