

1

2

3

4

5

6

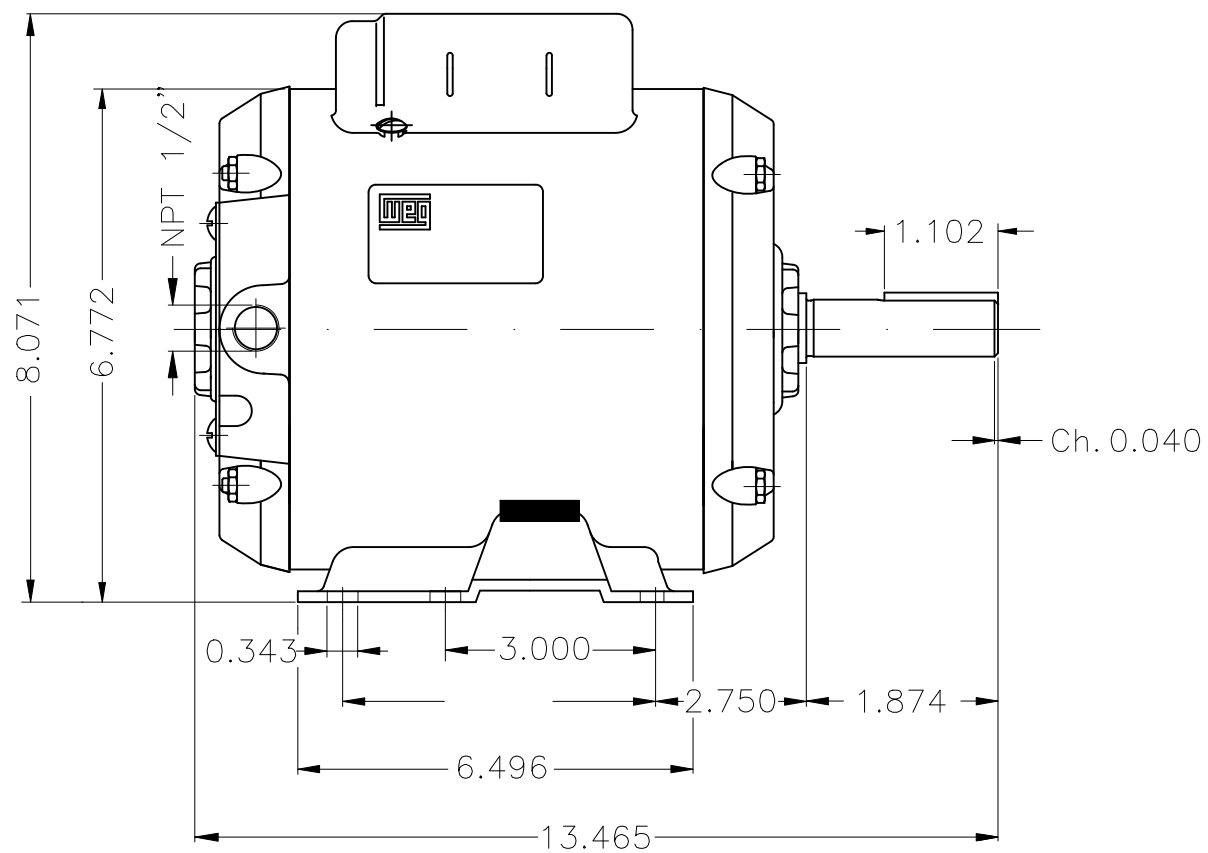
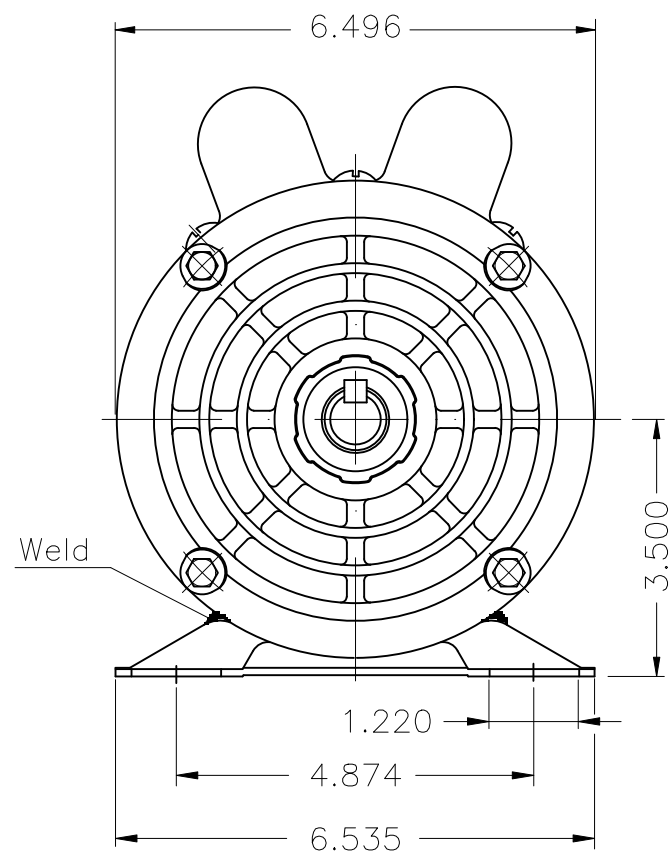
A

B

C

D

E



Color Munsell N 1 matte black										
Painting plan 207N										
Mounting B3R(D)										
ECM	LOC	SUMMARY OF MODIFICATIONS				EXECUTED	CHECKED	RELEASED	DATE	VER
EXECUTED	HYBRISUSER	SINGLE PH. MOTOR COMPRESSOR DUTY				PREVIEW				
CHECKED		FRAME F56H IP21 ODP				WDD		00		
RELEASED						SHEET		1 / 1		
A	REL. DATE	WMO		Jaragua do Sul		Product Engineering				

3 HP 02 Poles 60 Hz

